

LM2744 Evaluation Board

National Semiconductor
Application Note 1357
Ricardo Capetillo
October 2005



Introduction

This application notes describes the LM2743 printed circuit board (PCB) design and provides an example typical application circuit. The demo board allows component design flexibility in order to demonstrate the versatility of the LM2744 IC.

The demo board contains a voltage-mode, high-speed synchronous buck regulator controller with an external adjustable reference voltage between 0.5V and 1.5V. The demo board design incorporates the LM4140 high precision low noise reference IC providing 1.0V to the reference pin (V_{REF}). Though the control sections of the IC are rated for 3 to 6V (V_{CC}), the driver sections are designed to accept input supply rails (V_{IN}) as high as 14V. It operates at a fixed-frequency, adjustable from 50 kHz to 1 MHz with one external resistor.

The demo board design regulates to an output voltage of 1.2V at 3.5A with a switching frequency of 1MHz. Note, the demo board is optimized for a 1MHz, 14V input voltage compensation design; if another switching frequency and input voltage is desired, please consult the LM2744 data sheet for control loop compensation procedures. For additional design modifications refer to the Design Consideration section of the LM2744 data sheet.

Additional Footprints

A Schottky diode footprint (D1) is available in parallel to the low side MOSFET. This component can improve efficiency, due to the lower forward drop than the low side MOSFET body diode conducting during the anti-shoot through period. Select a Schottky diode that maintains a forward drop around 0.4 to 0.6V at the maximum load current (consult the I-V curve). In addition select the reverse breakdown voltage to have sufficient margin above the maximum input voltage.

Footprint C13 is available for a multilayer ceramic capacitor (MLCC) connected as close as possible to the source of the low side MOSFET and drain of the high side MOSFET. This will provide low supply impedance to the high speed switch currents, thus minimizing the input supply noise. For example; a MLCC is used (C13) in combination with aluminum

electrolytic input filter capacitors, placed in designators C12 and C14, because MLCC have lower impedance than electrolytics. If MLCCs are used in designators C12 and C14 component C13 is not necessary.

The PCB is designed on two layers with 1oz. copper on a 62mil FR4 laminate.

Guidelines for Additional Options

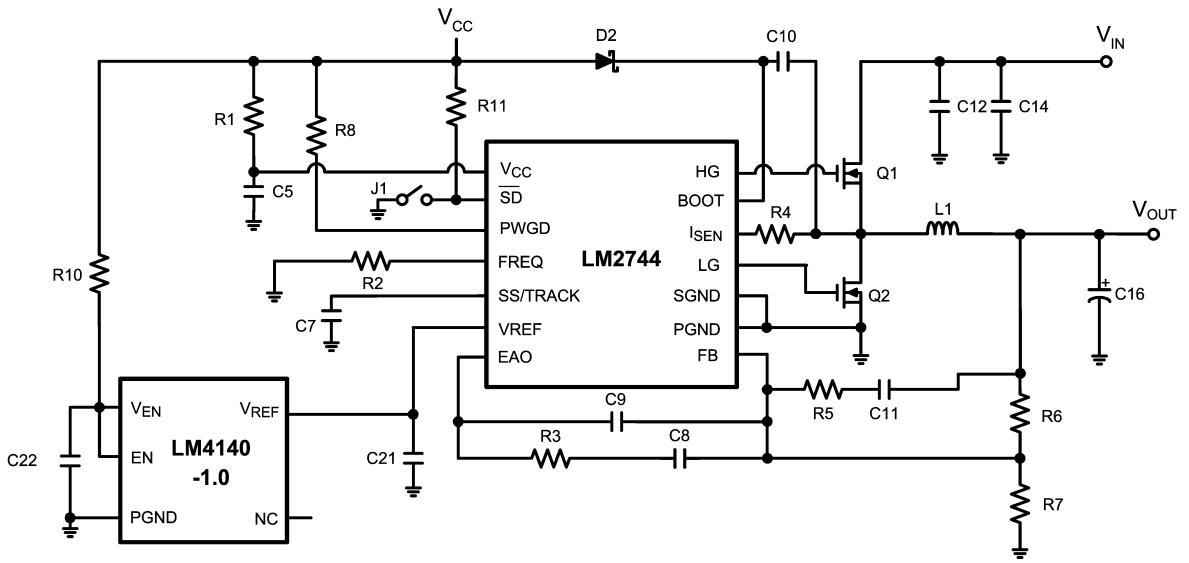
When using a DC power supply to set a reference voltage (V_{REF}), connect a capacitor (C20) from V_{DCS} to GND to filter the DC power supply. A good starting point is 10 μ F, but may need to be varied depending on the magnitude of the DC power supply noise (any make of capacitor will do as long as the capacitance is maintained within the operating temperature range). Remove R10 and place a zero ohm jumper in designator R12 .

Designators R12 and R13 are provided for DDR SDRAM (double data rate synchronous dynamic random access memory) active termination design. Set V_{REF} to half the DDR supply voltage by using designators R12 and R13 as a voltage divider. Remove resistors R7, R10 and capacitor C21, and connect the DDR supply voltage rail to terminal V_{DCS} , refer to *Figure 2*. The modified circuit in *Figure 1* can sink or source current in excess of 3A – a load transient response applied to the output of *Figure 2* is provided in *Figure 3*.

Do not exceed 5.6V on the VCC pin of the demo board. The board layout connects together both the input voltage of the LM4140-1.0 (pin 2) and the control section of the LM2744 (VCC). The maximum DC supply voltage for the control section of the LM2744 is 6V, while 5.6V is the maximum rating for any input pin of the LM4140. If the design requires the control section of the LM2744 to be 6V, a shunt zener reference may be placed at designator location (D3) to maintain the input voltage of the LM4140 between 1.8V and 5.5V. The cathode of the zener is connected to the input of the LM4140 and the anode to GND. The resistance of R10 must be selected to supply the appropriate amount of biasing current into the zener and the LM4140 (refer to the Electrical Characteristic table of the LM4140 data sheet).

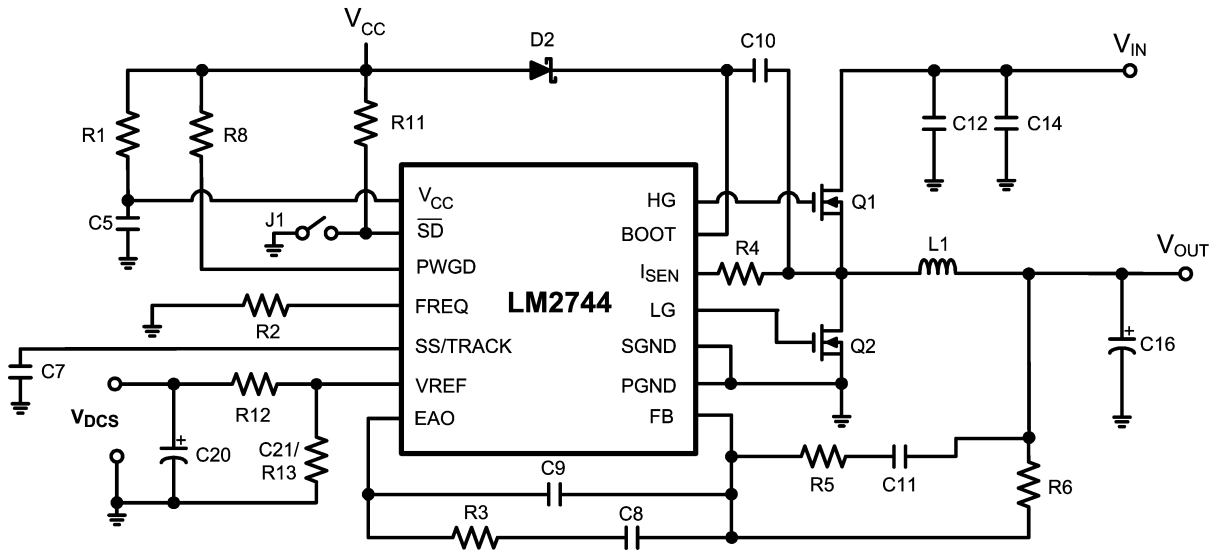
Typical Application Circuit

The typical application circuit in figure 1 provides the component designators used on the demo board.



20134301

FIGURE 1. Typical Application

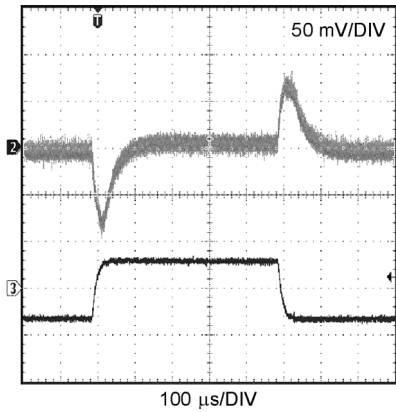


20134302

FIGURE 2. DDR SDRAM Termination Supply

Performance Characteristics

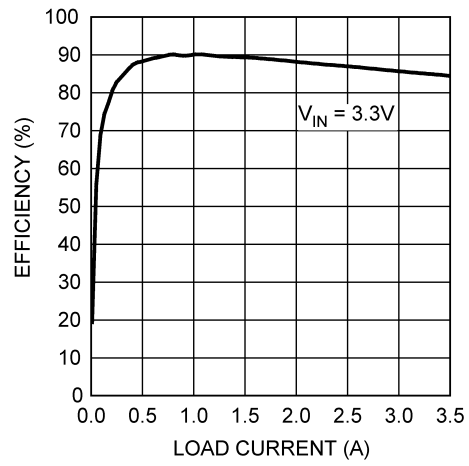
Load Transient Response



20134303

FIGURE 3. ± 3A Load Transient Response Applied to circuit in Figure 2

$(V_{IN} = V_{CC} = 3.3V$ and $V_{OUT} = 1.2V)$.
 CH 2 - V_{OUT} AC coupled and CH 3 - 5A/ DIV

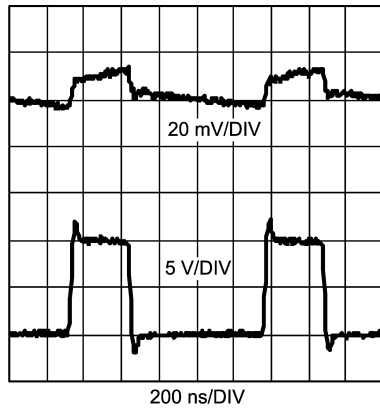


20134304

FIGURE 4. Efficiency vs. Load Current
 $V_{OUT} = 1.2V$, $f_{SW} = 1MHz$

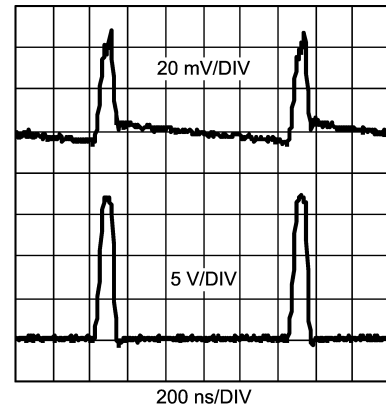
Performance Characteristics (Continued)

Switch Node Voltage and Output Ripple Voltage



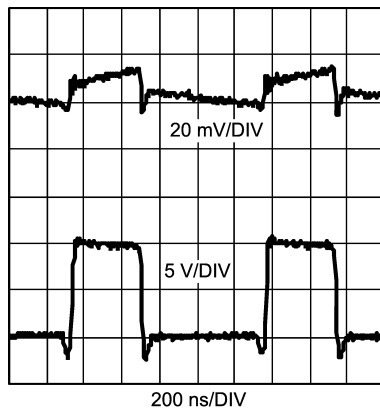
20134306

FIGURE 5. $V_{IN} = V_{CC} = 3.3V$,
 $V_{OUT} = 1.2V$,
 $I_{LOAD} = 0A$, $f_{SW} = 1MHz$.
 20 MHz Bandwidth Limit



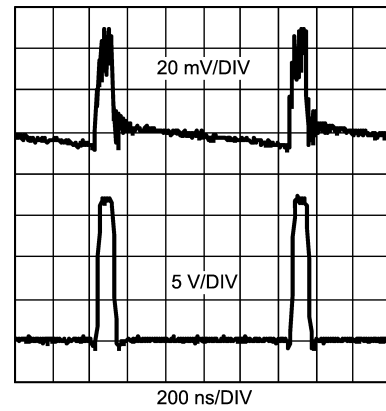
20134308

FIGURE 7. $V_{IN} = 14V$, $V_{CC} = 5V$,
 $V_{OUT} = 1.2V$, $I_{LOAD} = 0A$, $f_{SW} = 1MHz$.
 20 MHz Bandwidth Limit



20134307

FIGURE 6. $V_{IN} = V_{CC} = 3.3V$,
 $V_{OUT} = 1.2V$,
 $I_{LOAD} = 3.5A$, $f_{SW} = 1MHz$.
 20 MHz Bandwidth Limit



20134309

FIGURE 8. $V_{IN} = 14V$, $V_{CC} = 5V$,
 $V_{OUT} = 1.2V$, $I_{LOAD} = 3.5A$, $f_{SW} = 1MHz$.
 20 MHz Bandwidth Limit

Bill of Materials

Designator	Function	Part Description	Part Number
U1	Controller	IC LM2744 TSSOP14	National Semiconductor
U2	Low Dropout Reg	IC LM4140BCM-1.0 SO-8	National Semiconductor
C5	VCC Decoupling	Cer Cap 1 μ F 25V 10% 0805	Murata GRM216R61E105KA12B
C7	Soft Start Cap	Cer Cap 12nF 25V 10% 0805	Vishay VJ0805Y123KXX
C8	Comp Cap	Cer Cap 1.2nF 25V 10% 0805	Vishay VJ0805Y122KXX
C9	Comp Cap	Cer Cap 15pF 50V 10% 0805	Vishay VJ0805A150KAA
C10	Cboot	Cer Cap 0.1 μ F 25V 10% 0805	Vishay VJ0805Y104KXX
C11	Comp Cap	Cer Cap 1.8nF 25V 10% 0805	Vishay VJ0805Y182KXX
C12	Input Filter Cap	Cer Cap 10 μ F 25V 10% 1210	AVX 12103D106MAT
C14	Input Filter Cap	Cer Cap 10 μ F 25V 10% 1210	AVX 12103D106MAT
C16	Output Filter Cap	470 μ F, 6.3V, 10m ohm ESR POScap	Sanyo 6TPD470
C21	Reference Output Cap	Niobium Oxide Cap 4.7 μ F 6V	AVX NOJA475M0006R
C22	Reference Input Cap	Cer Cap 0.47 μ F 25V 10% 1206	Vishay VJ1206Y474KXX
R1	VCC Filter Res	Res 10 Ω .25W 0805	Vishay CRCW08051000F
R2	Frequency Adjust Res	Res 24.9K Ω .25W 0805	Vishay CRCW08052492F
R3	Comp Res	Res 21K Ω .25W 0805	Vishay CRCW08052102F
R4	Current Limit Res	Res 3.16K Ω .25W 0805	Vishay CRCW08053161F
R5	Comp Res	Res 2.94K Ω .25W 0805	Vishay CRCW08052941F
R6	Res Divider, upper	Res 10.0K Ω .25W 0805	Vishay CRCW08051002F
R7	Res Divider, lower	Res 59K Ω .25W 0805	Vishay CRCW08055902F
R8	PWGD Pull-Up	Res 100K Ω .25W 0805	Vishay CRCW08051003F
R10	Zero Ohm	Res 0 Ω 0805	Vishay CRCW08050000
R11	Shut Down Pull-Up	Res 100K Ω .25W 0805	Vishay CRCW12061003F
D2	Bootstrap Diode	Schottky Diode, SOD-123	MBR0530LTI
L1	Output Filter Inductor	Inductor 1 μ H, 5.3Arms, 10.2m Ω	Cooper DR73-1R0
Q1-Q2	Top and Bottom FETs	Dual N-MOSFET, $V_{DS} = 20V$, 24m Ω @ 2.5V	Vishay 9926BDY

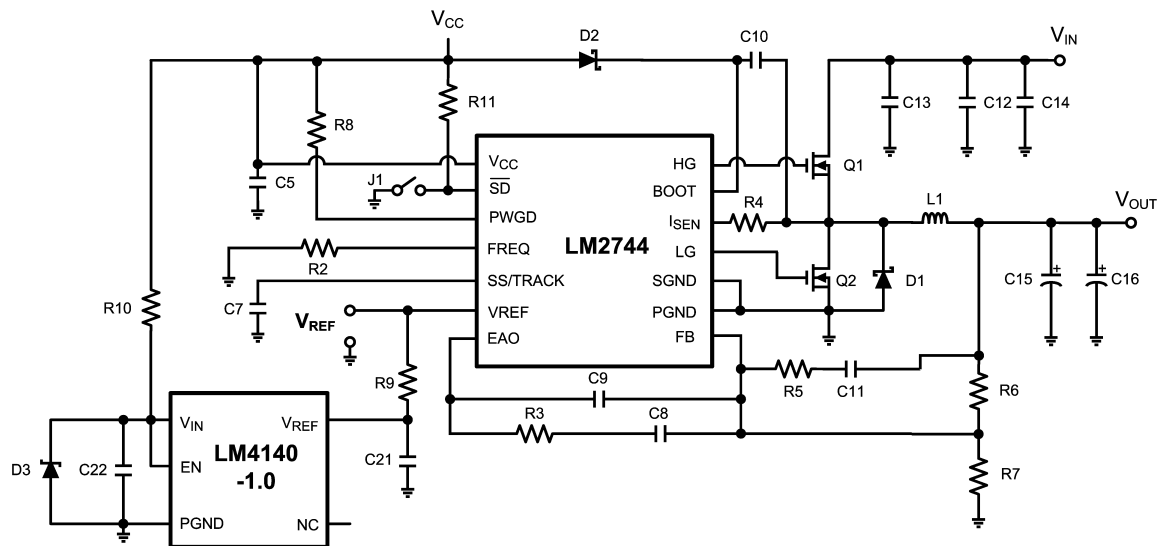
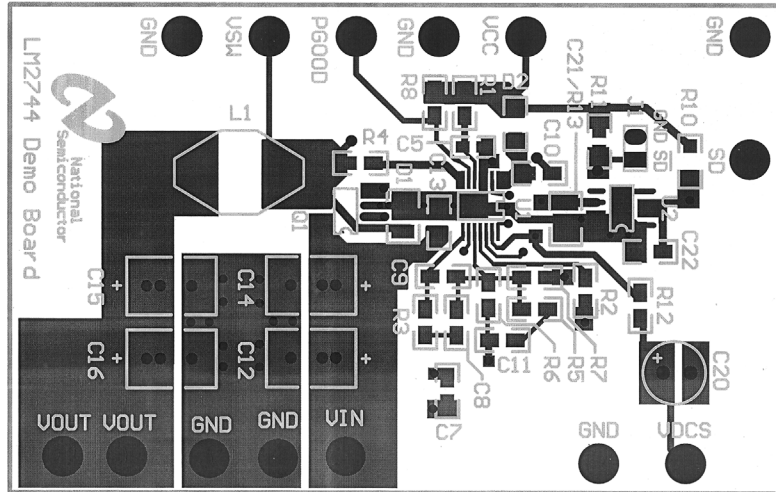


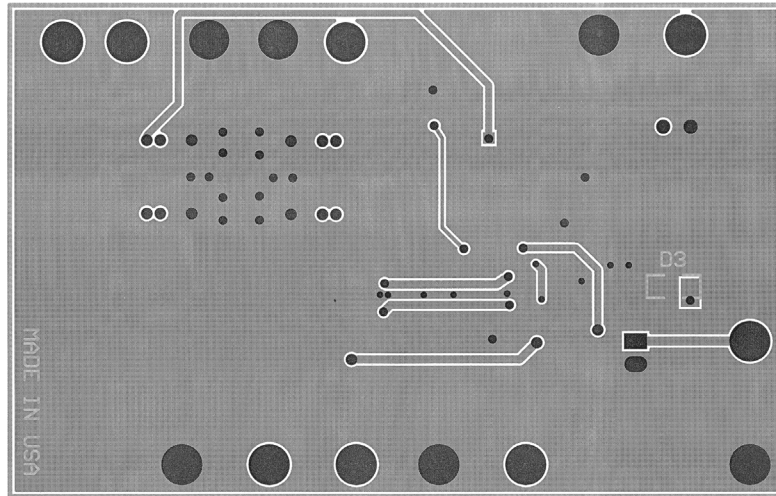
FIGURE 9. Complete Demo Board Schematic

PCB Layout Diagram(s)



20134310

FIGURE 10. Top Layer and Top Overlay



20134311

FIGURE 11. Bottom Layer

Notes

National does not assume any responsibility for use of any circuitry described, no circuit patent licenses are implied and National reserves the right at any time without notice to change said circuitry and specifications.

For the most current product information visit us at www.national.com.

LIFE SUPPORT POLICY

NATIONAL'S PRODUCTS ARE NOT AUTHORIZED FOR USE AS CRITICAL COMPONENTS IN LIFE SUPPORT DEVICES OR SYSTEMS WITHOUT THE EXPRESS WRITTEN APPROVAL OF THE PRESIDENT AND GENERAL COUNSEL OF NATIONAL SEMICONDUCTOR CORPORATION. As used herein:

1. Life support devices or systems are devices or systems which, (a) are intended for surgical implant into the body, or (b) support or sustain life, and whose failure to perform when properly used in accordance with instructions for use provided in the labeling, can be reasonably expected to result in a significant injury to the user.
2. A critical component is any component of a life support device or system whose failure to perform can be reasonably expected to cause the failure of the life support device or system, or to affect its safety or effectiveness.

BANNED SUBSTANCE COMPLIANCE

National Semiconductor manufactures products and uses packing materials that meet the provisions of the Customer Products Stewardship Specification (CSP-9-111C2) and the Banned Substances and Materials of Interest Specification (CSP-9-111S2) and contain no "Banned Substances" as defined in CSP-9-111S2.

Leadfree products are RoHS compliant.



National Semiconductor
Americas Customer
Support Center
Email: new.feedback@nsc.com
Tel: 1-800-272-9959

www.national.com

National Semiconductor
Europe Customer Support Center
Fax: +49 (0) 180-530 85 86
Email: europe.support@nsc.com
Deutsch Tel: +49 (0) 69 9508 6208
English Tel: +44 (0) 870 24 0 2171
Français Tel: +33 (0) 1 41 91 8790

National Semiconductor
Asia Pacific Customer
Support Center
Email: ap.support@nsc.com

National Semiconductor
Japan Customer Support Center
Fax: 81-3-5639-7507
Email: jpn.feedback@nsc.com
Tel: 81-3-5639-7560